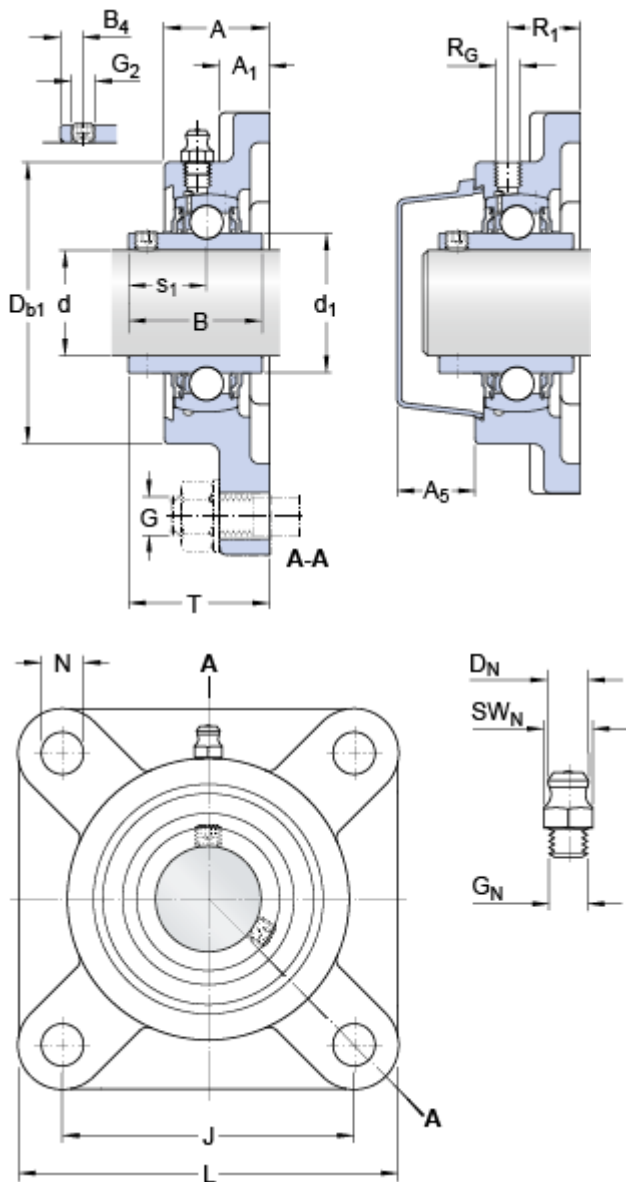


# UCF 205/H

Compliance with standard	JIS
Housing material	Cast iron
Sealing solution	Standard seals with additional flingers

## Dimensions



d	25	mm
d <sub>1</sub>	≈ 33.74	mm
A	27	mm
A <sub>1</sub>	13	mm
A <sub>5</sub>	20.5	mm
B	34.1	mm
B <sub>4</sub>	5	mm
D <sub>b1</sub>	68	mm
J	70	mm
L	95	mm
N	12	mm
s <sub>1</sub>	19.8	mm
T	35.8	mm

### Grease fitting

D <sub>N</sub>	6.6	mm
SW <sub>N</sub>	7.94	mm
G <sub>N</sub>	1/4-28 UNF	

### Threaded hole

R <sub>G</sub>	1/4-28 UNF	
R <sub>1</sub>	17.5	mm

## Calculation data

Basic dynamic load rating	C	14	kN
Basic static load rating	C <sub>0</sub>	7.8	kN
Fatigue load limit	P <sub>u</sub>	0.335	kN

Limiting speed	7000	r/min
with shaft tolerance h6		

## Mass

---

Mass bearing unit	0.72	kg
-------------------	------	----

## Mounting information

---

Thread grub screw	G <sub>2</sub>	M6x0.75	
Hexagonal key size for grub screw	N	3	mm
Recommended tightening torque for grub screw		4	N·m
Recommended diameter for attachment bolts, mm	G	10	mm
Recommended diameter for attachment bolts, inch	G	0.375	in

## Included products

---

Housing	F 205
Bearing	UC 205/H

## Associated products

---

End cover	ECY 205
-----------	---------

---