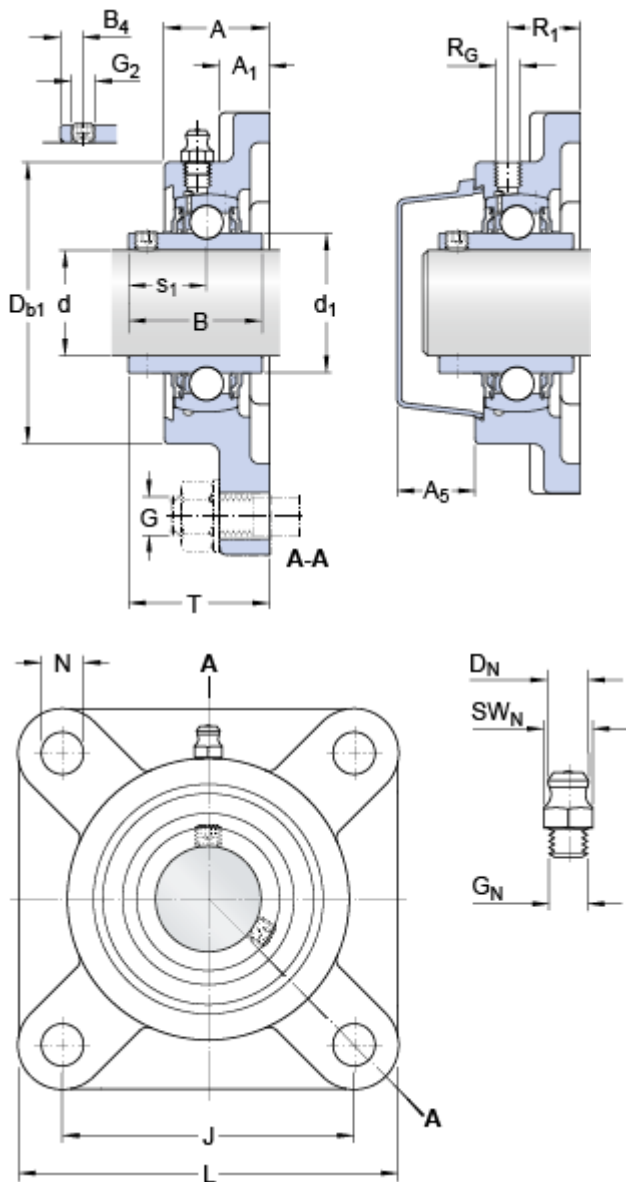


UCF 204/H

Compliance with standard	JIS
Housing material	Cast iron
Sealing solution	Standard seals with additional flingers

Dimensions



d	20	mm
d ₁	≈ 28.2	mm
A	25.5	mm
A ₁	11	mm
A ₅	20.5	mm
B	31	mm
B ₄	4.5	mm
D _{b1}	60	mm
J	64	mm
L	86	mm
N	12	mm
s ₁	18.3	mm
T	33.3	mm

Grease fitting

D _N	6.6	mm
SW _N	7.94	mm
G _N	1/4-28 UNF	

Threaded hole

R _G	1/4-28 UNF	
R ₁	17	mm

Calculation data

Basic dynamic load rating	C	12.7	kN
Basic static load rating	C ₀	6.55	kN
Fatigue load limit	P _u	0.28	kN

Limiting speed	8500	r/min
with shaft tolerance h6		

Mass

Mass bearing unit	0.53	kg
-------------------	------	----

Mounting information

Thread grub screw	G ₂	M6x0.75	
Hexagonal key size for grub screw	N	3	mm
Recommended tightening torque for grub screw		4	N·m
Recommended diameter for attachment bolts, mm	G	10	mm
Recommended diameter for attachment bolts, inch	G	0.375	in

Included products

Housing	F 204
Bearing	UC 204/H

Associated products

End cover	ECY 204
-----------	---------
