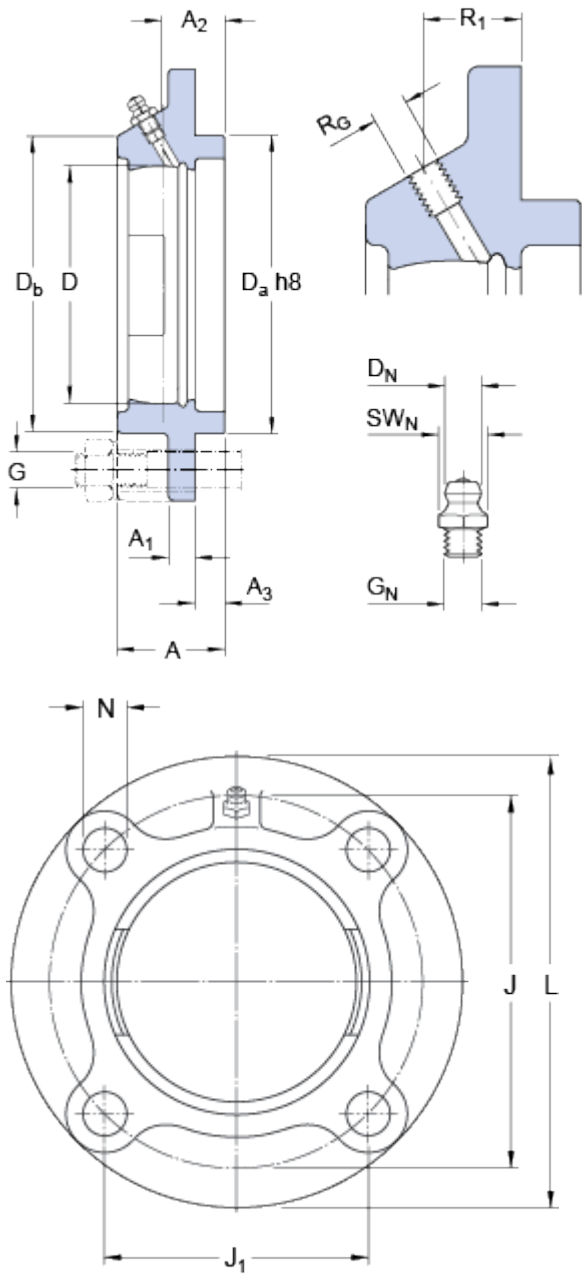


FYC 505

Material Cast iron

Dimensions



D	52	mm
D _a	70	mm
D _b	70	mm
A	27	mm
A ₁	7	mm
A ₂	16	mm
A ₃	6	mm
J	90	mm
J ₁	63.6	mm
L	115	mm
N	12	mm

Threaded hole

R _G	1/4-28 UNF
R ₁	16 mm

Grease fitting

D _N	6.5	mm
SW _N	7	mm
G _N	1/4-28 SAE-LT	

Mass

Mass housing 0.75 kg

Mounting information

Recommended diameter for attachment bolts, mm	G	10	mm
Recommended diameter for attachment bolts, inch	G	0.375	in