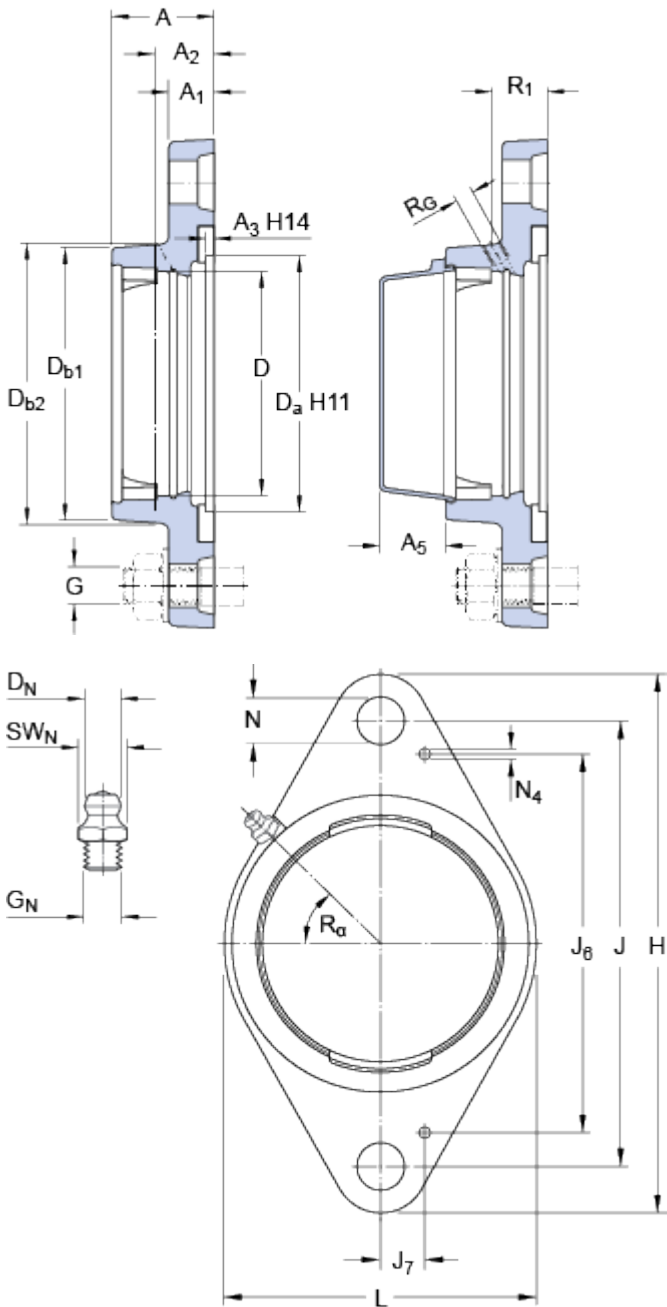


FYTB 509 M

Material Cast iron

Dimensions



D	85	mm
D _a	98.4	mm
D _{b1}	102	mm
D _{b2}	111	mm
A	39	mm
A ₁	14	mm
A ₂	24	mm
A ₃	3.2	mm
A ₅	23	mm
J	148.5	mm
H	178.5	mm
L	111	mm
N	16	mm

Threaded hole

R _G	1/4-28 UNF	
R ₁	24.5	mm
R _α	45	°

Grease fitting

D _N	6.5	mm
SW _N	7	mm
G _N	1/4-28 SAE-LT	

Dowel pins

J ₆	120.5	mm
J ₇	18	mm
N ₄	2	mm

Mass housing

1.1

kg

Mounting information

Recommended diameter for attachment bolts, mm

G

14

mm

Recommended diameter for attachment bolts, inch

G

0.5625

in

Associated products

End cover

ECY 209
