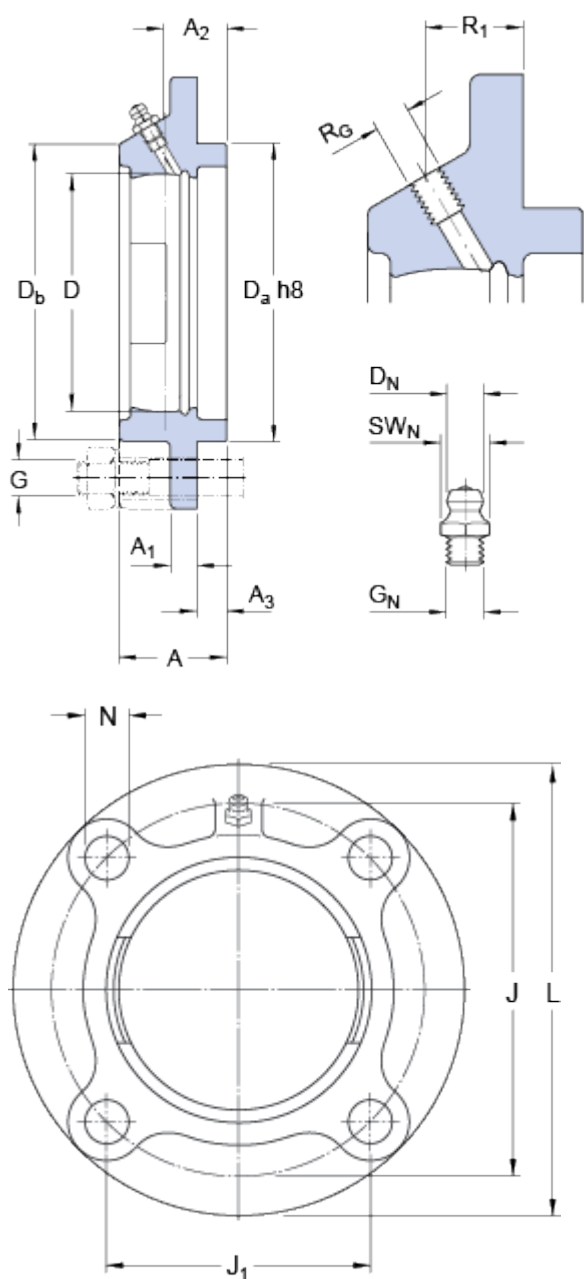


FYC 513

Material Cast iron

Dimensions



D	120	mm
D _a	145	mm
D _b	152.1	mm
A	50	mm
A ₁	15	mm
A ₂	30	mm
A ₃	14	mm
J	170	mm
J ₁	120.2	mm
L	205	mm
N	19	mm

Threaded hole

R _G	1/4-28 UNF	
R ₁	24.5	mm

Grease fitting

D _N	6.5	mm
SW _N	7	mm
G _N	1/4-28 SAE-LT	

Mass

Mass housing 3.85 kg

Mounting information

Recommended diameter for attachment bolts, mm G 16 mm

Recommended diameter for attachment bolts, inch G 0.625 in