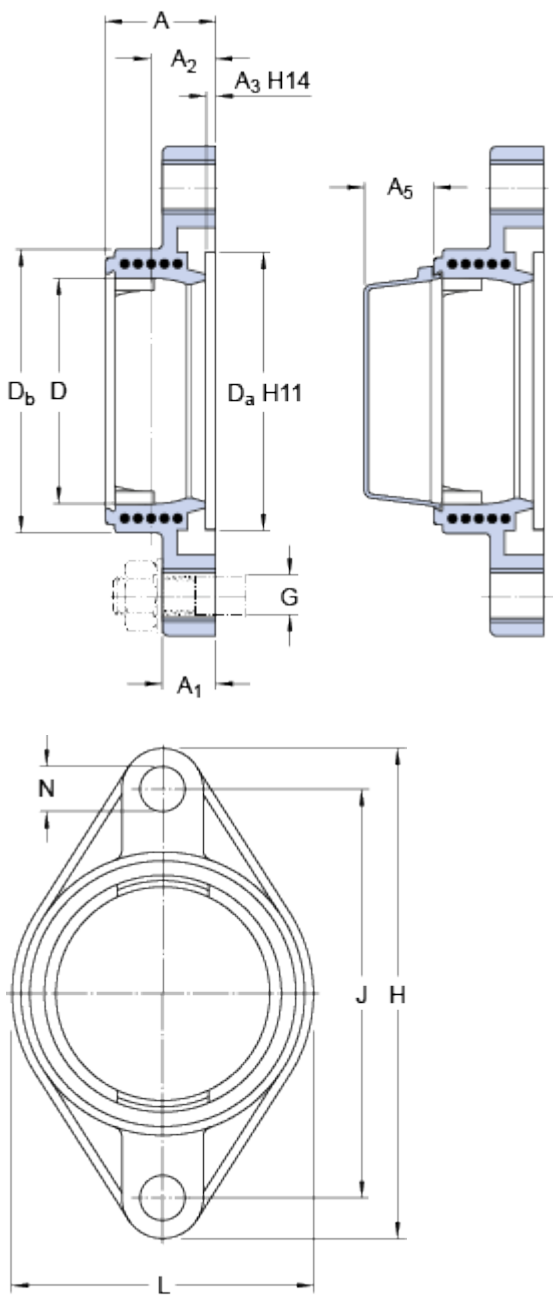


# FYTBK 507

Material Composite

## Dimensions



D	72	mm
D <sub>a</sub>	88.9	mm
D <sub>b</sub>	90	mm
A	35	mm
A <sub>1</sub>	17	mm
A <sub>2</sub>	21	mm
A <sub>3</sub>	3.2	mm
A <sub>5</sub>	22	mm
J	130	mm
H	156	mm
L	96	mm
N	14.8	mm

## Mass

Mass housing	0.18	kg
--------------	------	----

## Mounting information

Recommended diameter for attachment bolts, mm	G	12	mm
Recommended diameter for attachment bolts, inch	G	0.5	in

## Associated products

End cover	ECY 207
-----------	---------