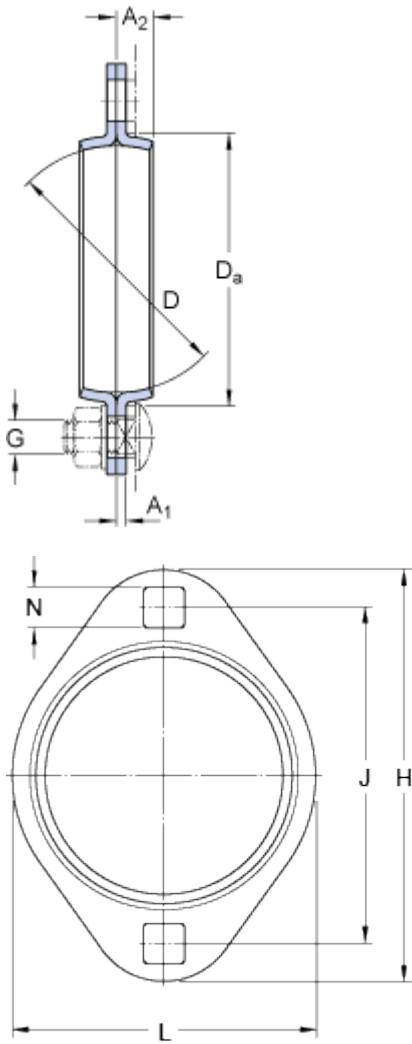


PFT 80

Material Pressed steel

Dimensions



D	80	mm
A ₁	3.5	mm
A ₂	10	mm
D _a	min. 87	mm
J	119	mm
H	148	mm
L	104	mm
N	13.5	mm

Calculation data

Permissible radial load max. 7.5 kN

Mass

Mass housing 0.36 kg

Mounting information

Recommended diameter for attachment bolts, mm G 12 mm

Recommended diameter for attachment bolts, inch G 0.5 in