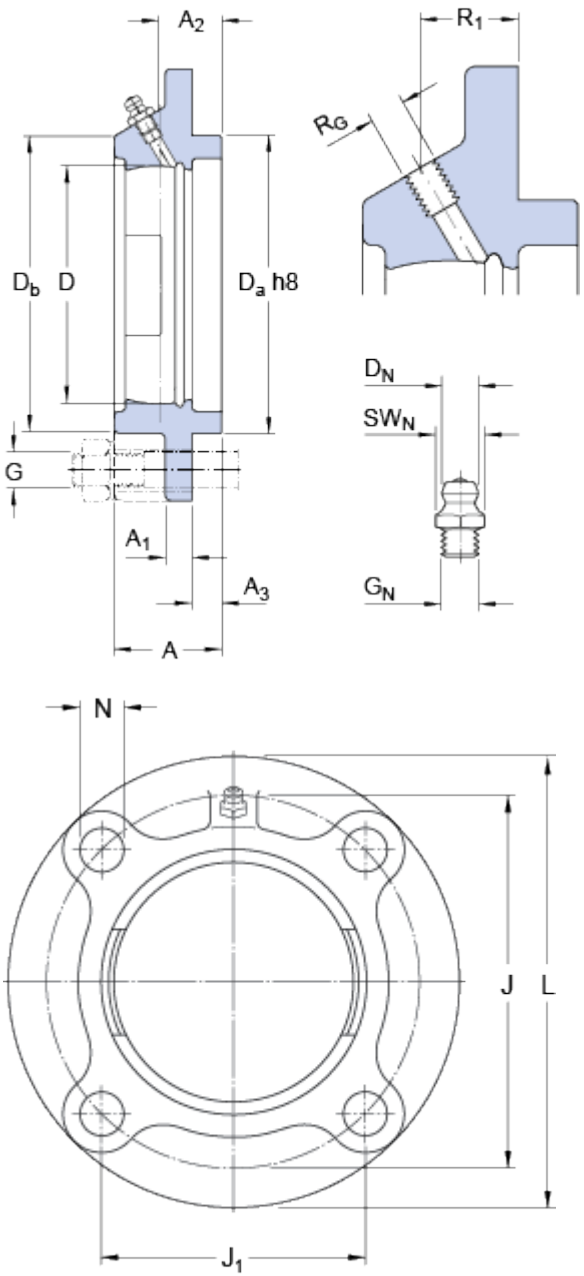


FYC 508

Material Cast iron

Dimensions



| | | |
|-----------------------|---------------|----|
| D | 80 | mm |
| D _a | 100 | mm |
| D _b | 100.1 | mm |
| A | 35.5 | mm |
| A ₁ | 9 | mm |
| A ₂ | 21 | mm |
| A ₃ | 10 | mm |
| J | 120 | mm |
| J ₁ | 84.9 | mm |
| L | 145 | mm |
| N | 14 | mm |
| Threaded hole | | |
| R _G | 1/4-28 UNF | |
| R ₁ | 17 | mm |
| Grease fitting | | |
| D _N | 6.5 | mm |
| SW _N | 7 | mm |
| G _N | 1/4-28 SAE-LT | |

Mass

Mass housing 1.3 kg

Mounting information

Recommended diameter for attachment bolts, mm G 12 mm

Recommended diameter for attachment bolts, inch G 0.5 in