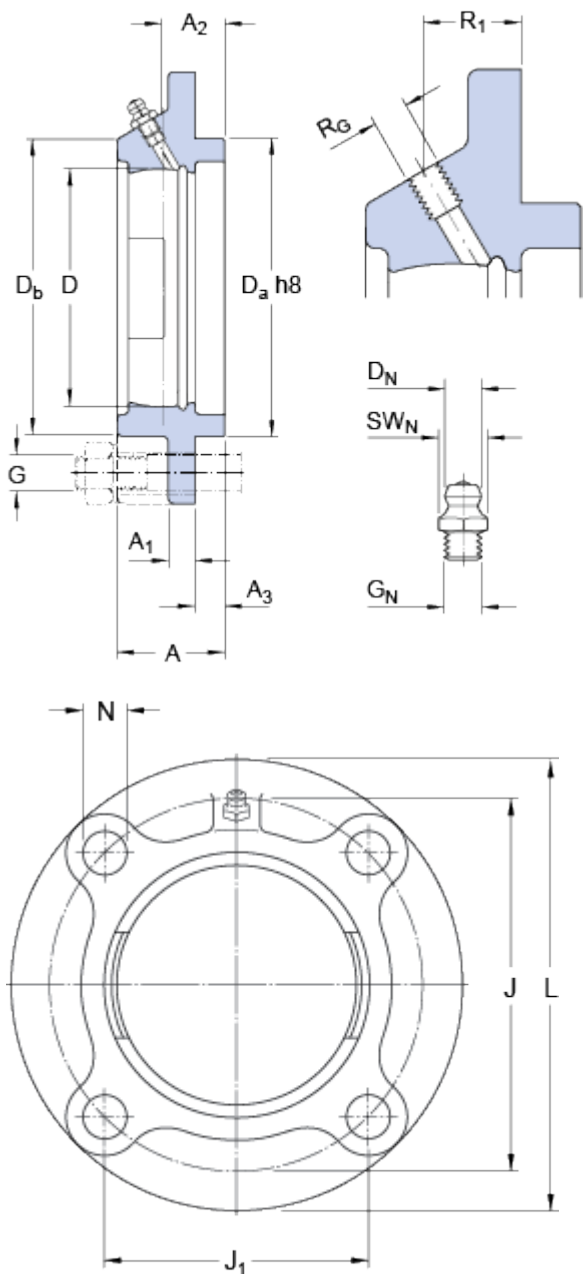


FYC 507

Material Cast iron

Dimensions



D	72	mm
D _a	90	mm
D _b	90.1	mm
A	33.5	mm
A ₁	9	mm
A ₂	19	mm
A ₃	8	mm
J	110	mm
J ₁	77.8	mm
L	135	mm
N	14	mm
Threaded hole		
R _G	1/4-28 UNF	
R ₁	17	mm
Grease fitting		
D _N	6.5	mm
SW _N	7	mm
G _N	1/4-28 SAE-LT	

Mass

Mass housing 1.15 kg

Mounting information

Recommended diameter for attachment bolts, mm G 12 mm

Recommended diameter for attachment bolts, inch G 0.5 in