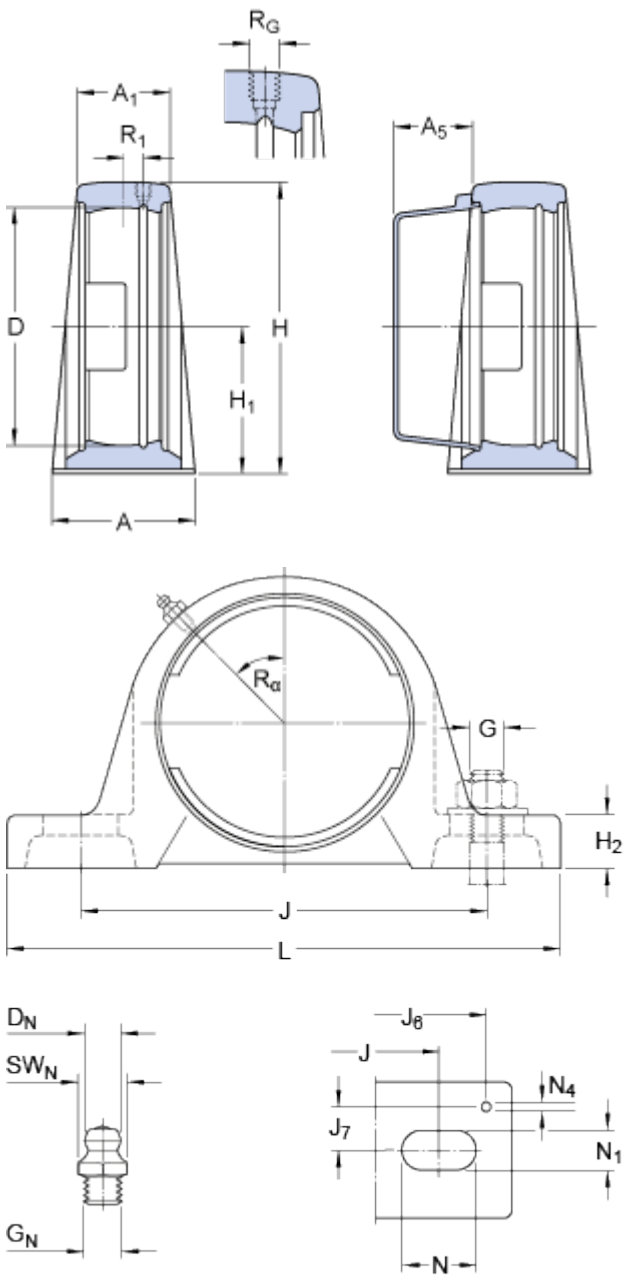


SY 511 M

Material

Cast iron

Dimensions



D	100	mm
H ₁	63.5	mm
A	60	mm
A ₁	40	mm
A ₅	34	mm
H	126	mm
H ₂	24	mm
J	171.5	mm
J	max. 181	mm
J	min. 162	mm
L	219	mm
N	27.5	mm
N ₁	18	mm

Threaded hole

R _G	1/4-28 UNF	
R ₁	4.5	mm
R _α	45	°

Grease fitting

D _N	6.5	mm
SW _N	7	mm
G _N	1/4-28 SAE-LT	

Dowel pins

J ₆	201	mm
J ₇	21	mm
N ₄	4	mm

Mass housing

2.35

kg

Mounting information

Recommended diameter for attachment bolts, mm

G

16

mm

Recommended diameter for attachment bolts, inch

G

0.625

in

Associated products

End cover

ECY 211
