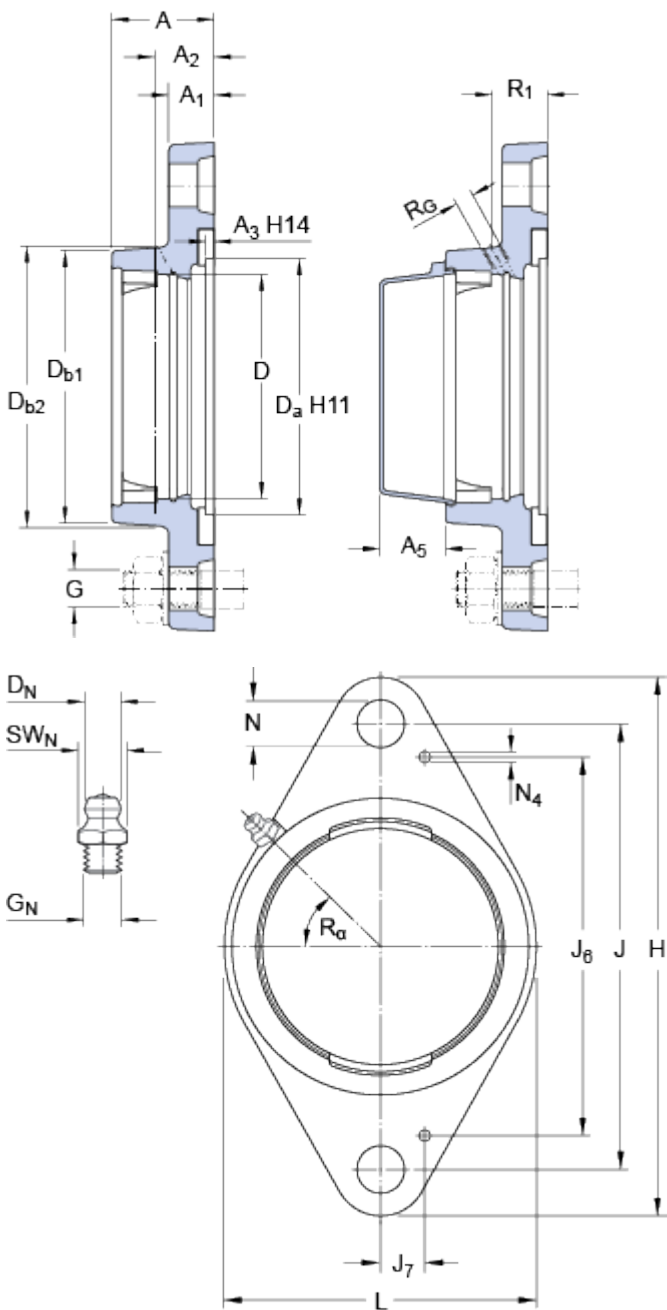


FYTB 510 M

Material Cast iron

Dimensions



D	90	mm
D _a	101.6	mm
D _{b1}	107	mm
D _{b2}	116	mm
A	43	mm
A ₁	15	mm
A ₂	28	mm
A ₃	3.2	mm
A ₅	29.5	mm
J	157	mm
H	189	mm
L	116	mm
N	18	mm

Threaded hole

R _G	1/4-28 UNF	
R ₁	28.5	mm
R _α	45	°

Grease fitting

D _N	6.5	mm
SW _N	7	mm
G _N	1/4-28 SAE-LT	

Dowel pins

J ₆	127	mm
J ₇	20	mm
N ₄	2	mm

Mass housing

1.3

kg

Mounting information

Recommended diameter for attachment bolts, mm

G

16

mm

Recommended diameter for attachment bolts, inch

G

0.625

in

Associated products

End cover

ECY 210
