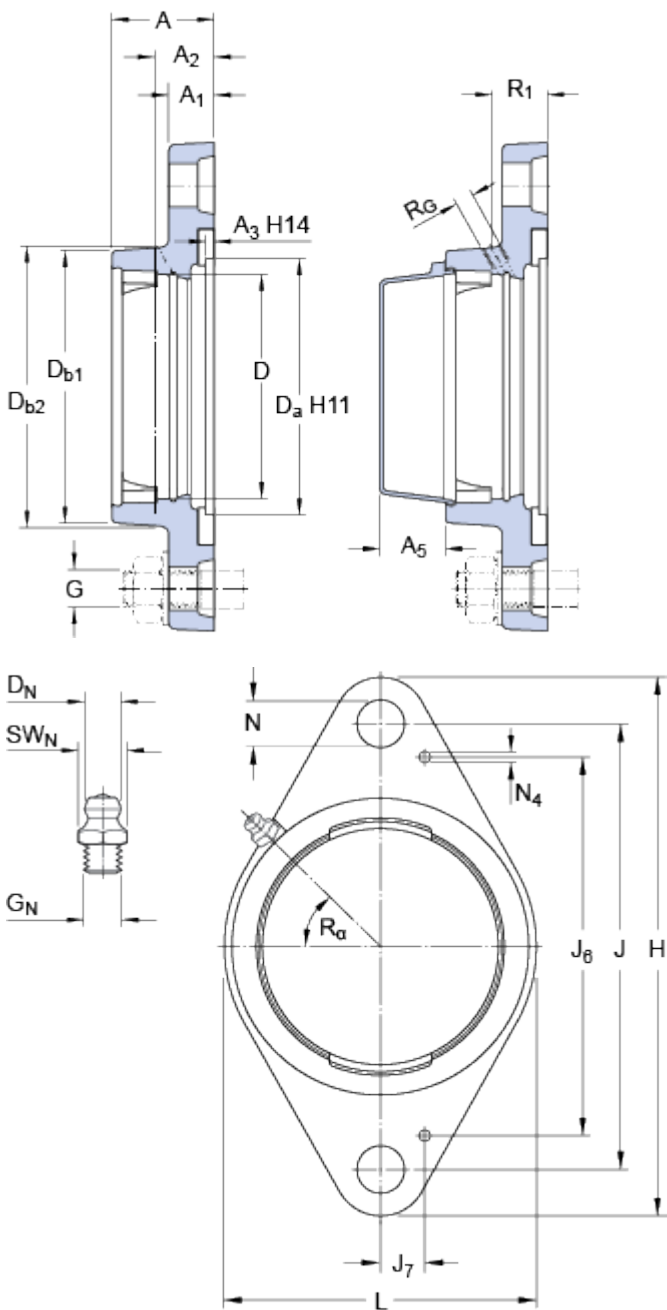


FYTB 504 M

Material Cast iron

Dimensions



| | | |
|-----------------|------|----|
| D | 47 | mm |
| D _a | 50.8 | mm |
| D _{b1} | 58 | mm |
| D _{b2} | 60.5 | mm |
| A | 29.5 | mm |
| A ₁ | 11 | mm |
| A ₂ | 19 | mm |
| A ₃ | 3.2 | mm |
| A ₅ | 18.5 | mm |
| J | 90 | mm |
| H | 112 | mm |
| L | 60.5 | mm |
| N | 11.5 | mm |

Threaded hole

| | | |
|----------------|------------|----|
| R _G | 1/4-28 UNF | |
| R ₁ | 20 | mm |
| R _α | 45 | ° |

Grease fitting

| | | |
|-----------------|---------------|----|
| D _N | 6.5 | mm |
| SW _N | 7 | mm |
| G _N | 1/4-28 SAE-LT | |

Dowel pins

| | | |
|----------------|------|----|
| J ₆ | 74 | mm |
| J ₇ | 11.5 | mm |
| N ₄ | 2 | mm |

Mass housing

0.29

kg

Mounting information

Recommended diameter for attachment bolts, mm

G

10

mm

Recommended diameter for attachment bolts, inch

G

0.375

in

Associated products

End cover

ECY 204
