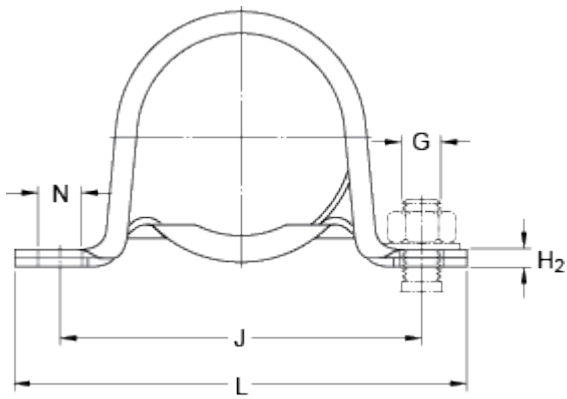
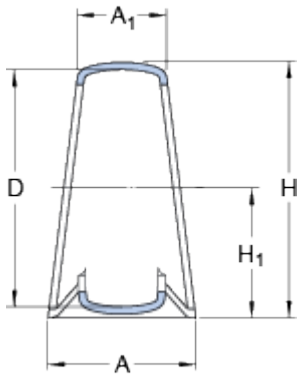


# P 62

Material

Pressed steel

## Dimensions



D	62	mm
A	38	mm
A <sub>1</sub>	25	mm
H	66	mm
H <sub>1</sub>	33	mm
H <sub>2</sub>	4	mm
J	95	mm
L	119	mm
N	11.2	mm

## Calculation data

Permissible radial load	max.	2.6	kN
-------------------------	------	-----	----

## Mass

Mass housing	0.17	kg
--------------	------	----

## Mounting information

Recommended diameter for attachment bolts, mm	G	10	mm
Recommended diameter for attachment bolts, inch	G	0.375	in