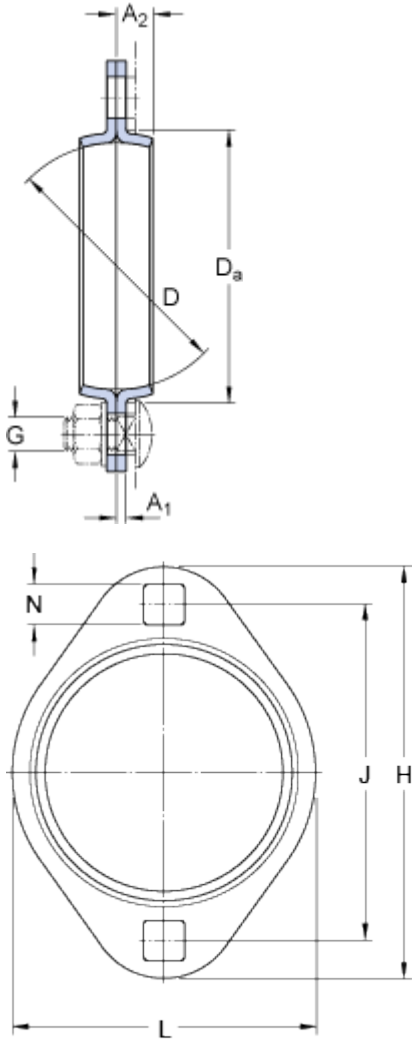


# PFT 40

Material

Pressed steel

## Dimensions



D	40	mm
A <sub>1</sub>	2	mm
A <sub>2</sub>	7	mm
D <sub>a</sub>	min. 44	mm
J	63	mm
H	81	mm
L	59	mm
N	7.1	mm

## Calculation data

Permissible radial load	max.	2.5	kN
-------------------------	------	-----	----

## Mass

Mass housing	0.08	kg
--------------	------	----

## Mounting information

Recommended diameter for attachment bolts, mm	G	6	mm
Recommended diameter for attachment bolts, inch	G	0.25	in