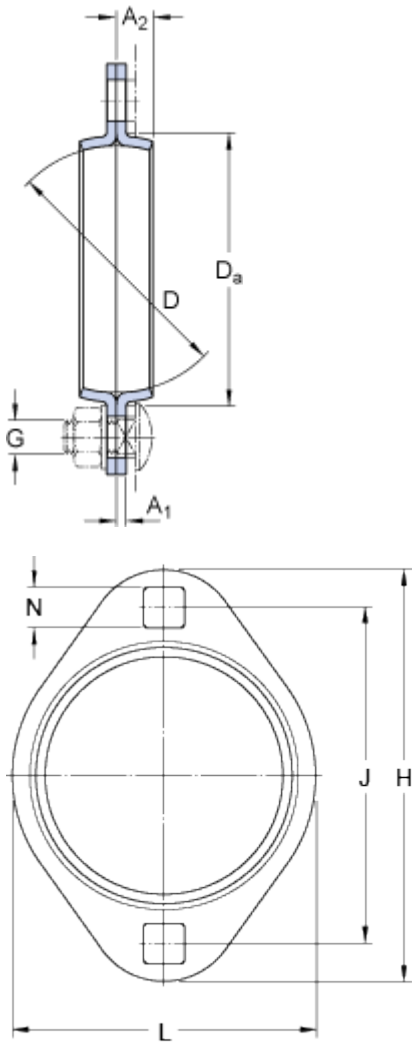


# PFT 52

Material

Pressed steel

## Dimensions



D	52	mm
A <sub>1</sub>	2	mm
A <sub>2</sub>	9	mm
D <sub>a</sub>	min. 56	mm
J	76.2	mm
H	95	mm
L	71	mm
N	8.7	mm

## Calculation data

Permissible radial load	max.	3.6	kN
-------------------------	------	-----	----

## Mass

Mass housing	0.11	kg
--------------	------	----

## Mounting information

Recommended diameter for attachment bolts, mm	G	8	mm
Recommended diameter for attachment bolts, inch	G	0.3125	in