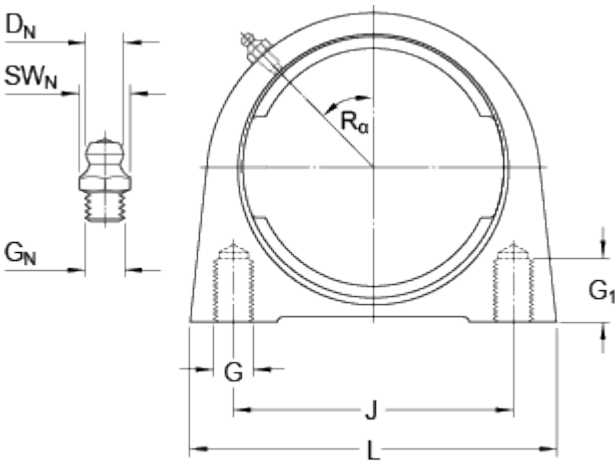
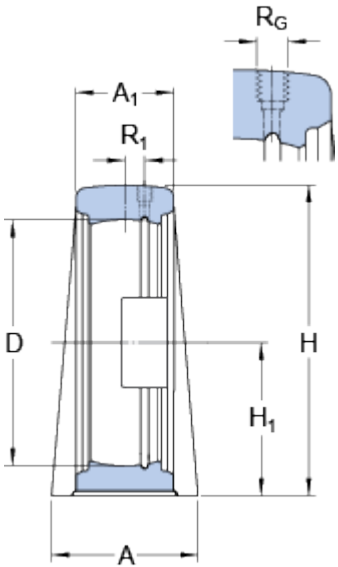


SYF 506

Material Cast iron

Dimensions



D	62	mm
H ₁	42.9	mm
A	40	mm
A ₁	25	mm
H	82	mm
J	76.2	mm
L	98	mm

Threaded hole

R _G	1/4-28 UNF
R ₁	3 mm
R _α	45 °

Grease fitting

D _N	6.5	mm
SW _N	7	mm
G _N	1/4-28 SAE-LT	

Mass

Mass housing	0.66	kg
--------------	------	----

Mounting information

Housing thread for attachment bolts	G	M10
Thread length	G ₁	15 mm