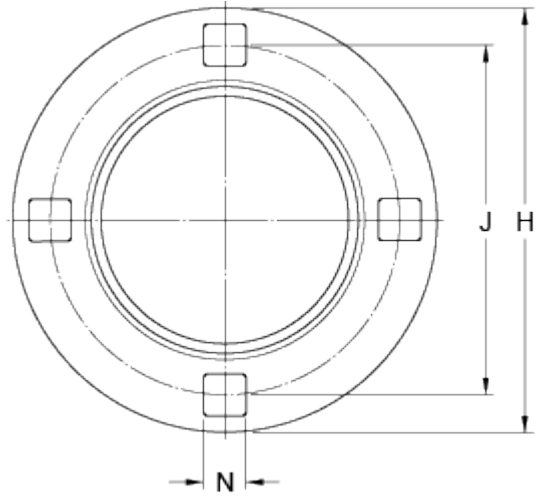
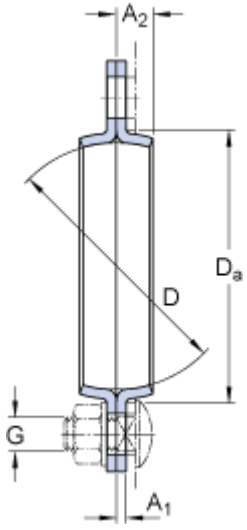


PF 80

Material

Pressed steel

Dimensions



D	80	mm
D _a	min. 87	mm
A ₁	3.5	mm
A ₂	10	mm
J	119	mm
H	148	mm
N	13.5	mm

Calculation data

Permissible radial load	max.	7.5	kN
-------------------------	------	-----	----

Mass

Mass housing	0.7	kg
--------------	-----	----

Mounting information

Recommended diameter for attachment bolts, mm	G	12	mm
Recommended diameter for attachment bolts, inch	G	0.5	in