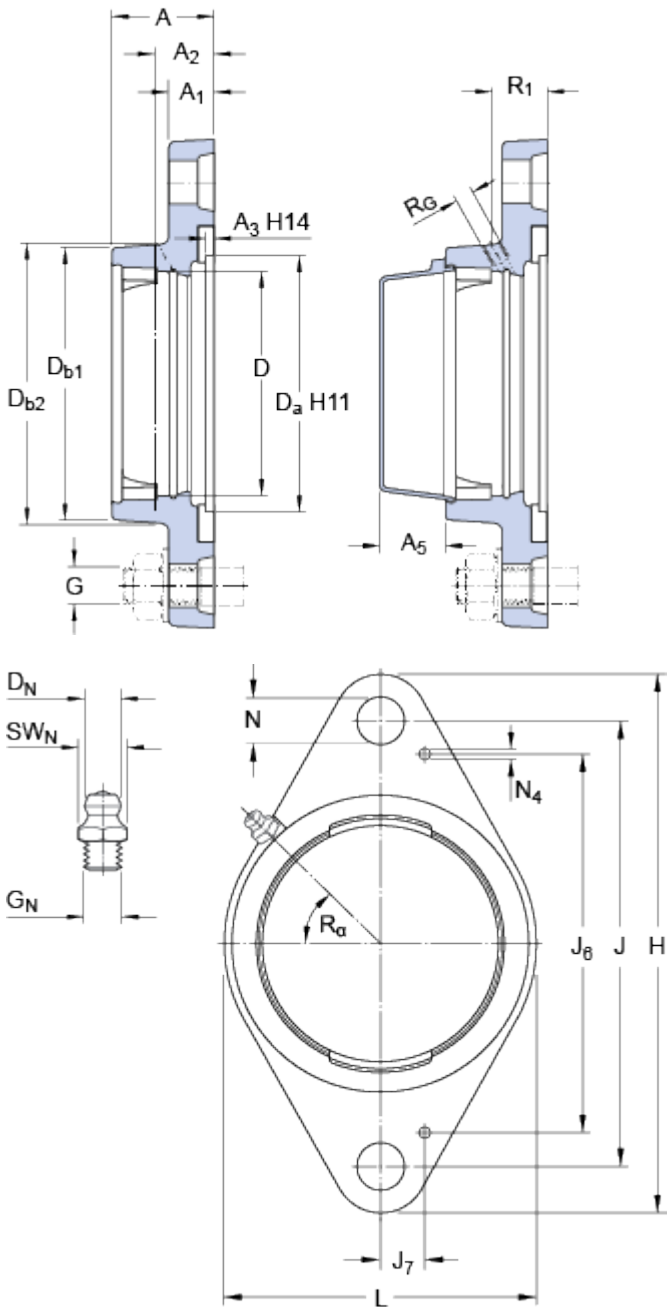


# FYTB 507 M

Material Cast iron

## Dimensions



D	72	mm
D <sub>a</sub>	88.9	mm
D <sub>b1</sub>	88	mm
D <sub>b2</sub>	96	mm
A	34.5	mm
A <sub>1</sub>	13	mm
A <sub>2</sub>	21	mm
A <sub>3</sub>	3.2	mm
A <sub>5</sub>	22	mm
J	130	mm
H	156	mm
L	96	mm
N	14	mm

### Threaded hole

R <sub>G</sub>	1/4-28 UNF	
R <sub>1</sub>	22	mm
R <sub>α</sub>	45	°

### Grease fitting

D <sub>N</sub>	6.5	mm
SW <sub>N</sub>	7	mm
G <sub>N</sub>	1/4-28 SAE-LT	

### Dowel pins

J <sub>6</sub>	106	mm
J <sub>7</sub>	15	mm
N <sub>4</sub>	2	mm

Mass housing

0.75

kg

---

### Mounting information

Recommended diameter for attachment bolts, mm

G

12

mm

Recommended diameter for attachment bolts, inch

G

0.5

in

---

### Associated products

End cover

ECY 207

---