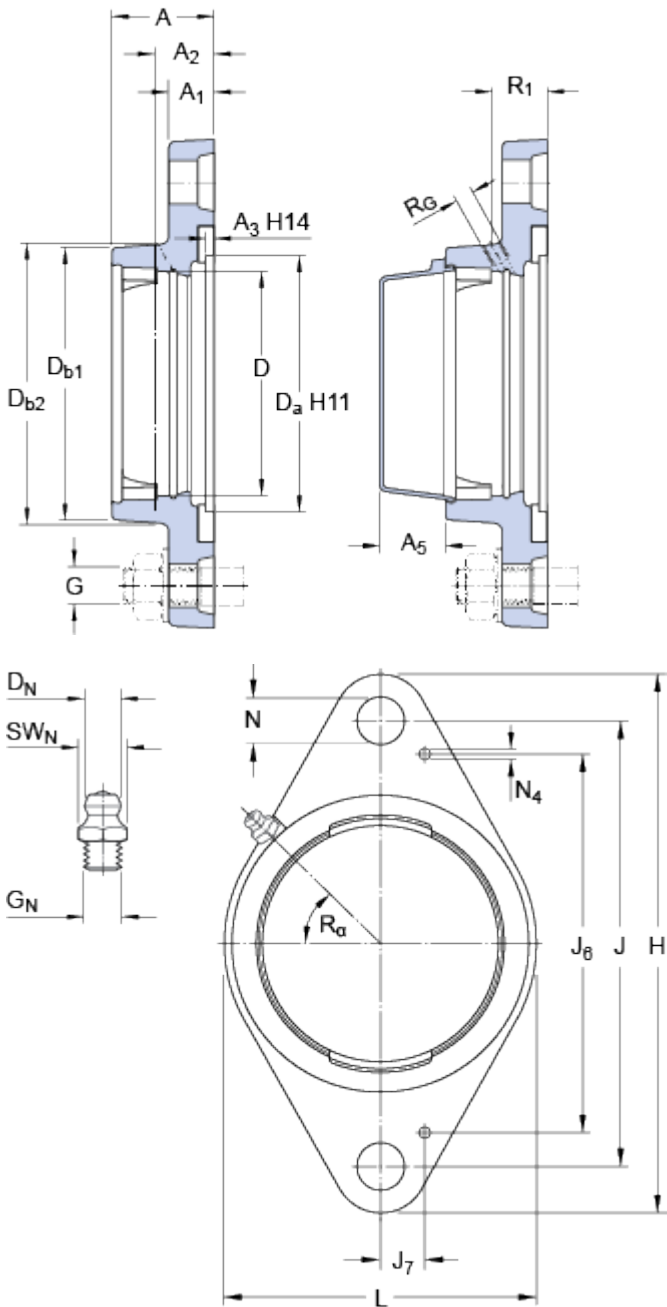


FYTB 506 M

Material Cast iron

Dimensions



D	62	mm
D _a	76.2	mm
D _{b1}	77	mm
D _{b2}	83	mm
A	32.5	mm
A ₁	13	mm
A ₂	20	mm
A ₃	3.2	mm
A ₅	20	mm
J	116.5	mm
H	141.5	mm
L	83	mm
N	11.5	mm

Threaded hole

R _G	1/4-28 UNF	
R ₁	21	mm
R _α	45	°

Grease fitting

D _N	6.5	mm
SW _N	7	mm
G _N	1/4-28 SAE-LT	

Dowel pins

J ₆	98.5	mm
J ₇	12.5	mm
N ₄	2	mm

Mass housing

0.56

kg

Mounting information

Recommended diameter for attachment bolts, mm

G

10

mm

Recommended diameter for attachment bolts, inch

G

0.375

in

Associated products

End cover

ECY 206
