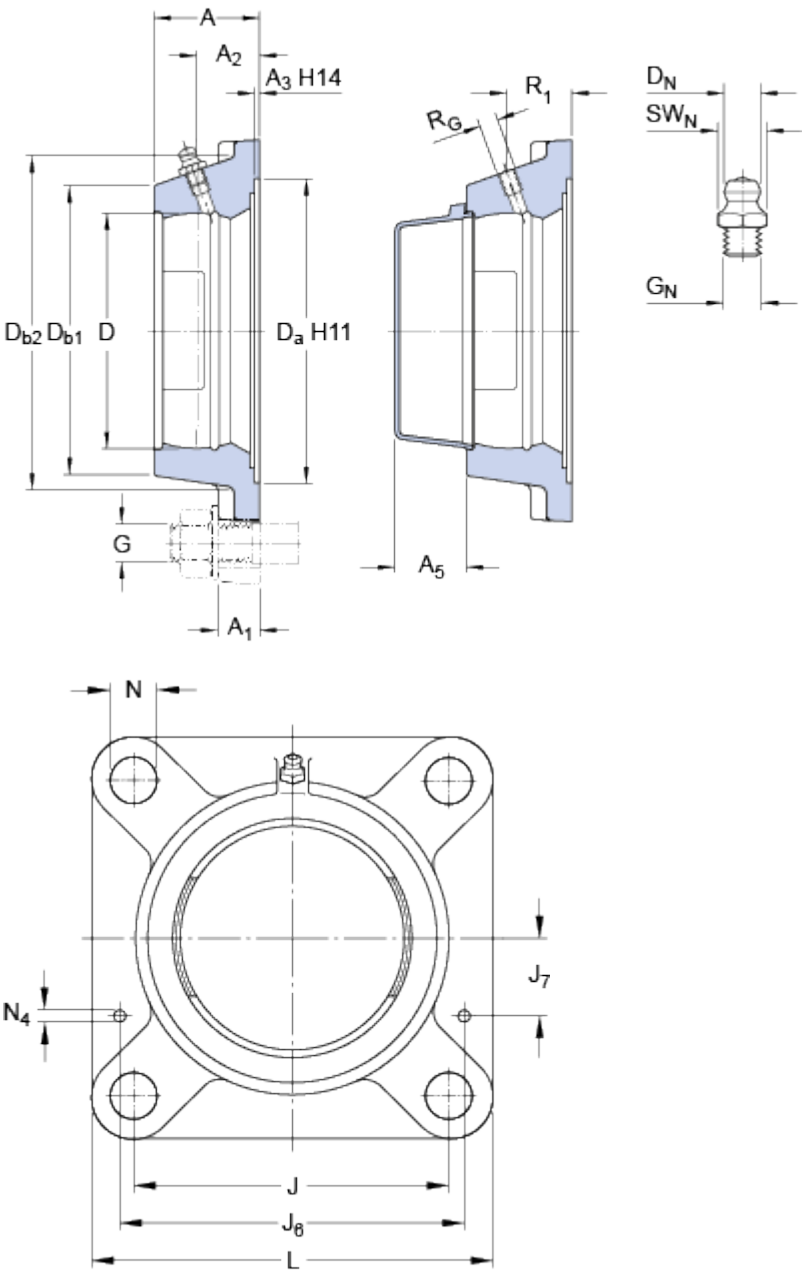


FY 507 M

Material Cast iron

Dimensions



D	72	mm
D _a	106.4	mm
D _{b1}	87	mm
D _{b2}	95	mm
A	34.5	mm
A ₁	13	mm
A ₂	21	mm
A ₃	3.2	mm
A ₅	22	mm
J	92	mm
L	118	mm
N	14	mm
Threaded hole		
R _G	1/4-28 UNF	
R ₁	22.5	mm
Grease fitting		
D _N	6.5	mm
SW _N	7	mm
G _N	1/4-28 SAE-LT	
Dowel pins		
J ₆	106	mm
J ₇	29	mm
N ₄	4	mm

Mass

Mass housing 0.87 kg

Mounting information

Recommended diameter for attachment bolts, mm

G 12 mm

Recommended diameter for attachment bolts, inch

G 0.5 in

Associated products

End cover

ECY 207
