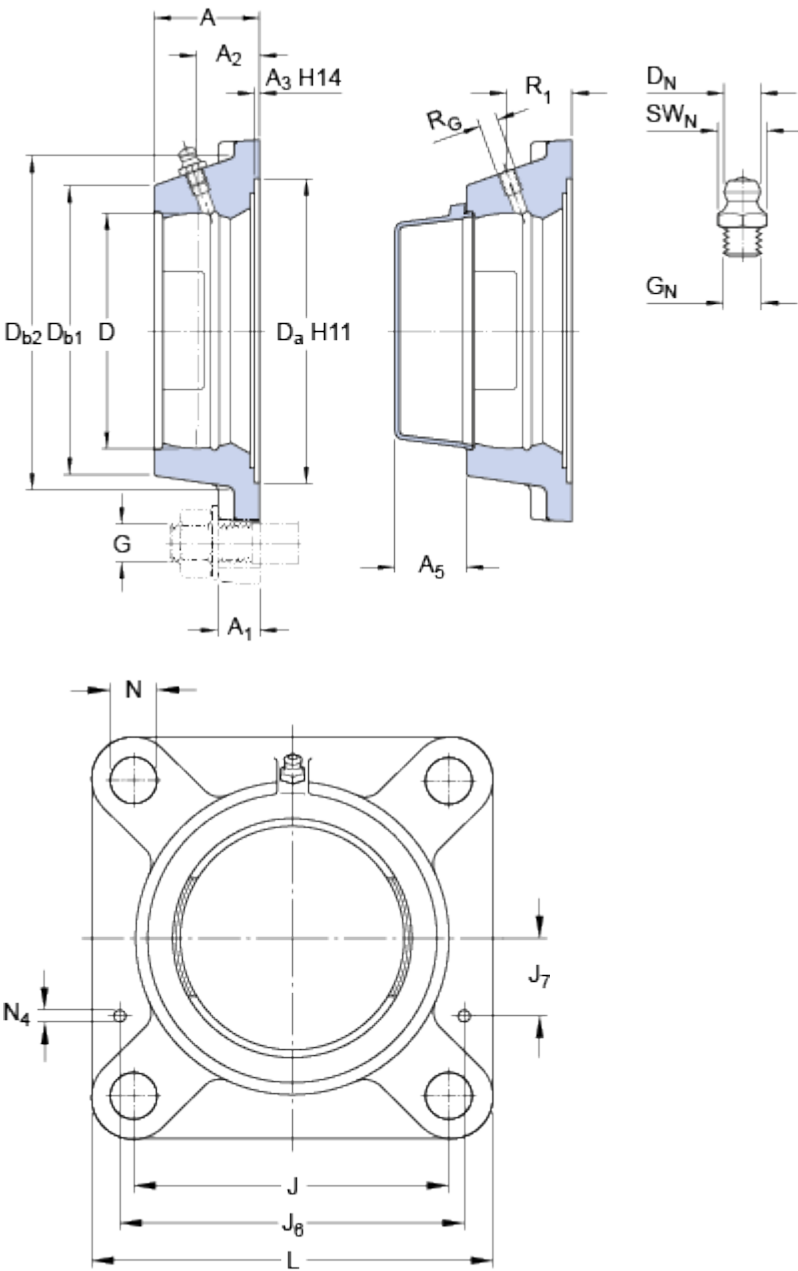


FY 508 M

Material Cast iron

Dimensions



D	80	mm
D _a	115.9	mm
D _{b1}	98	mm
D _{b2}	106	mm
A	38.5	mm
A ₁	14	mm
A ₂	24	mm
A ₃	3.2	mm
A ₅	23.5	mm
J	101.5	mm
L	130	mm
N	14	mm
Threaded hole		
R _G	1/4-28 UNF	
R ₁	25.5	mm
Grease fitting		
D _N	6.5	mm
SW _N	7	mm
G _N	1/4-28 SAE-LT	
Dowel pins		
J ₆	118	mm
J ₇	34	mm
N ₄	4	mm

Mass

Mass housing 1.2 kg

Mounting information

Recommended diameter for attachment bolts, mm

G 12 mm

Recommended diameter for attachment bolts, inch

G 0.5 in

Associated products

End cover

ECY 208
