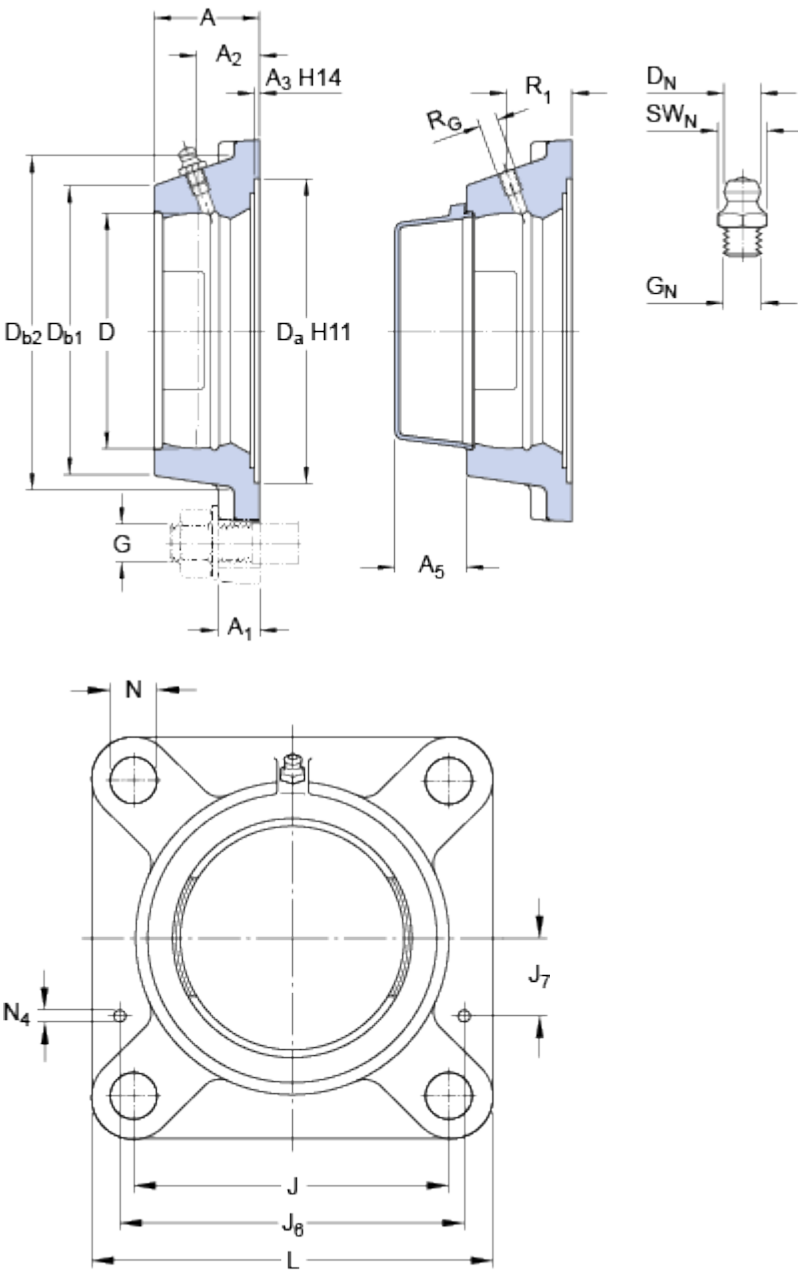


# FY 505 M

Material Cast iron

## Dimensions



D	52	mm
D <sub>a</sub>	74.6	mm
D <sub>b1</sub>	65	mm
D <sub>b2</sub>	71	mm
A	30	mm
A <sub>1</sub>	12	mm
A <sub>2</sub>	19	mm
A <sub>3</sub>	3.2	mm
A <sub>5</sub>	18	mm
J	70	mm
L	95	mm
N	11.5	mm
<b>Threaded hole</b>		
R <sub>G</sub>	1/4-28 UNF	
R <sub>1</sub>	21	mm
<b>Grease fitting</b>		
D <sub>N</sub>	6.5	mm
SW <sub>N</sub>	7	mm
G <sub>N</sub>	1/4-28 SAE-LT	
<b>Dowel pins</b>		
J <sub>6</sub>	83	mm
J <sub>7</sub>	19	mm
N <sub>4</sub>	4	mm

## Mass

Mass housing 0.52 kg

## Mounting information

Recommended diameter for attachment bolts, mm	G	10	mm
Recommended diameter for attachment bolts, inch	G	0.375	in

### **Associated products**

---

End cover	ECY 205
-----------	---------

---