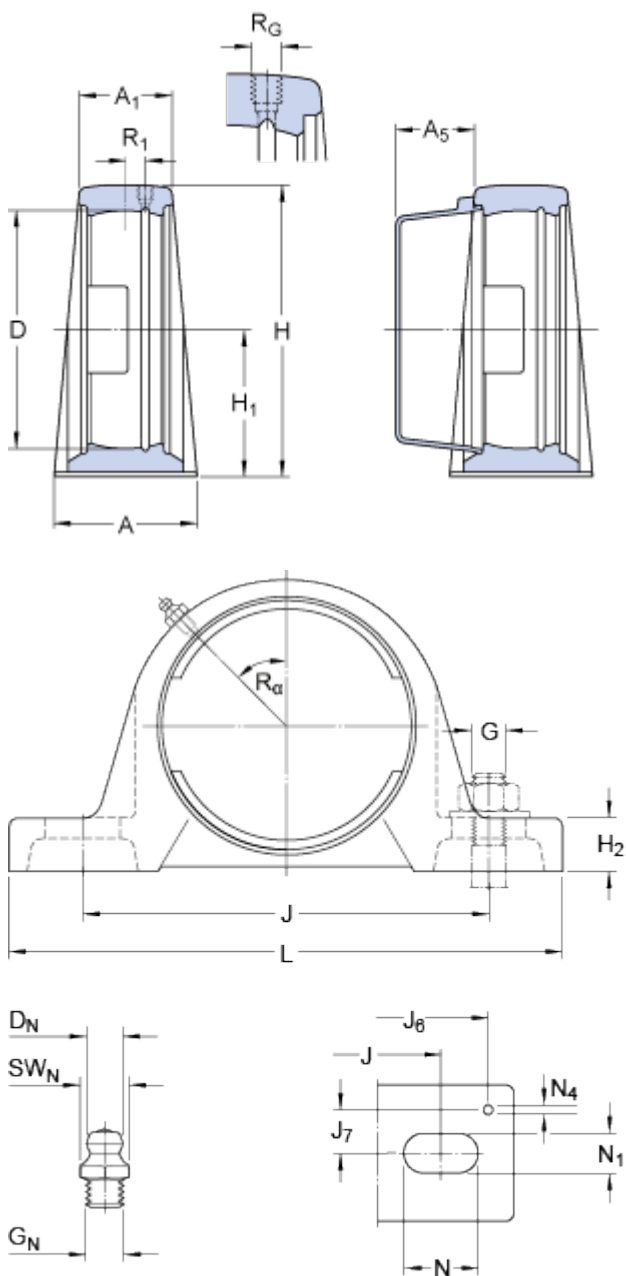


SY 508 M

Material Cast iron

Dimensions



D	80	mm
H ₁	49.2	mm
A	48	mm
A ₁	30	mm
A ₅	23.5	mm
H	99	mm
H ₂	19	mm
J	135.5	mm
J	max. 146	mm
J	min. 125	mm
L	175	mm
N	24.5	mm
N ₁	14	mm

Threaded hole

R _G	1/4-28 UNF	
R ₁	3.5	mm
R _α	45	°

Grease fitting

D _N	6.5	mm
SW _N	7	mm
G _N	1/4-28 SAE-LT	

Dowel pins

J ₆	161	mm
J ₇	17	mm
N ₄	4	mm

Mass housing

1.2

kg

Mounting information

Recommended diameter for attachment bolts, mm

G

12

mm

Recommended diameter for attachment bolts, inch

G

0.5

in

Associated products

End cover

ECY 208
