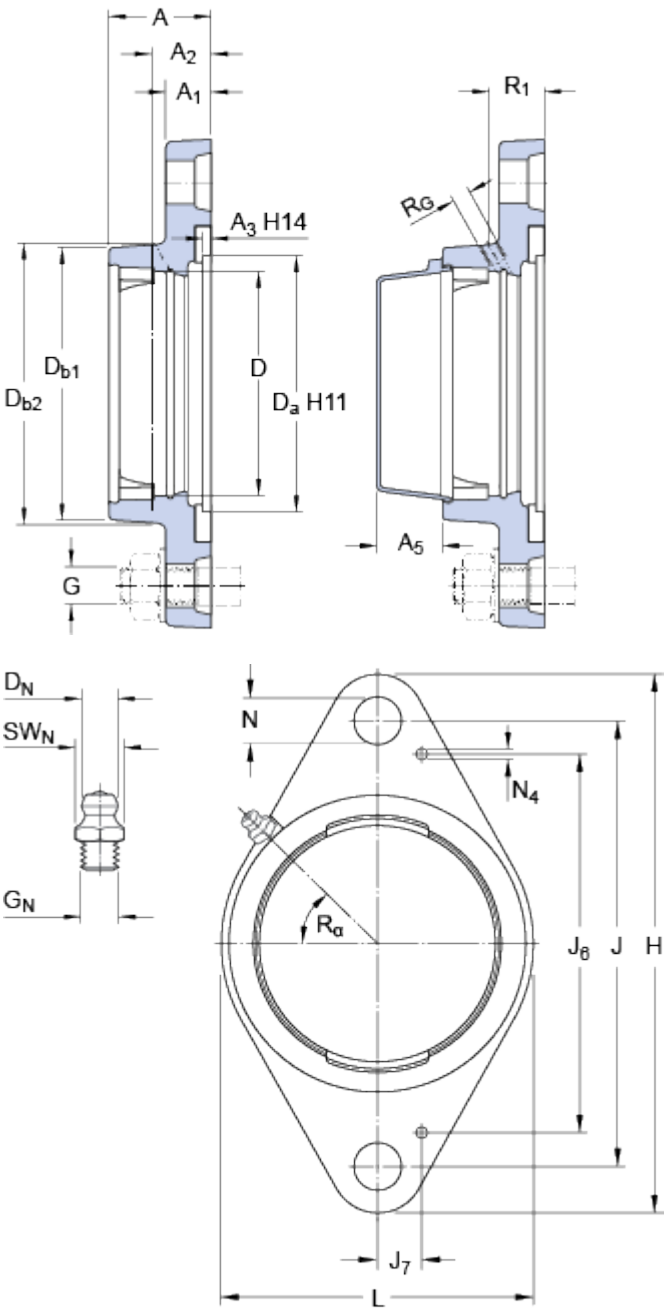


FYTB 505 M

Material Cast iron

Dimensions



D	52	mm
D _a	63.5	mm
D _{b1}	65	mm
D _{b2}	70	mm
A	30	mm
A ₁	12	mm
A ₂	19	mm
A ₃	3.2	mm
A ₅	18	mm
J	99	mm
H	124	mm
L	70	mm
N	11.5	mm
Threaded hole		
R _G	1/4-28 UNF	
R ₁	20.5	mm
R _α	45	°
Grease fitting		
D _N	6.5	mm
SW _N	7	mm
G _N	1/4-28 SAE-LT	
Dowel pins		
J ₆	81	mm
J ₇	12	mm
N ₄	2	mm

Mass housing

0.39

kg

Mounting information

Recommended diameter for attachment bolts, mm

G

10

mm

Recommended diameter for attachment bolts, inch

G

0.375

in

Associated products

End cover

ECY 205
