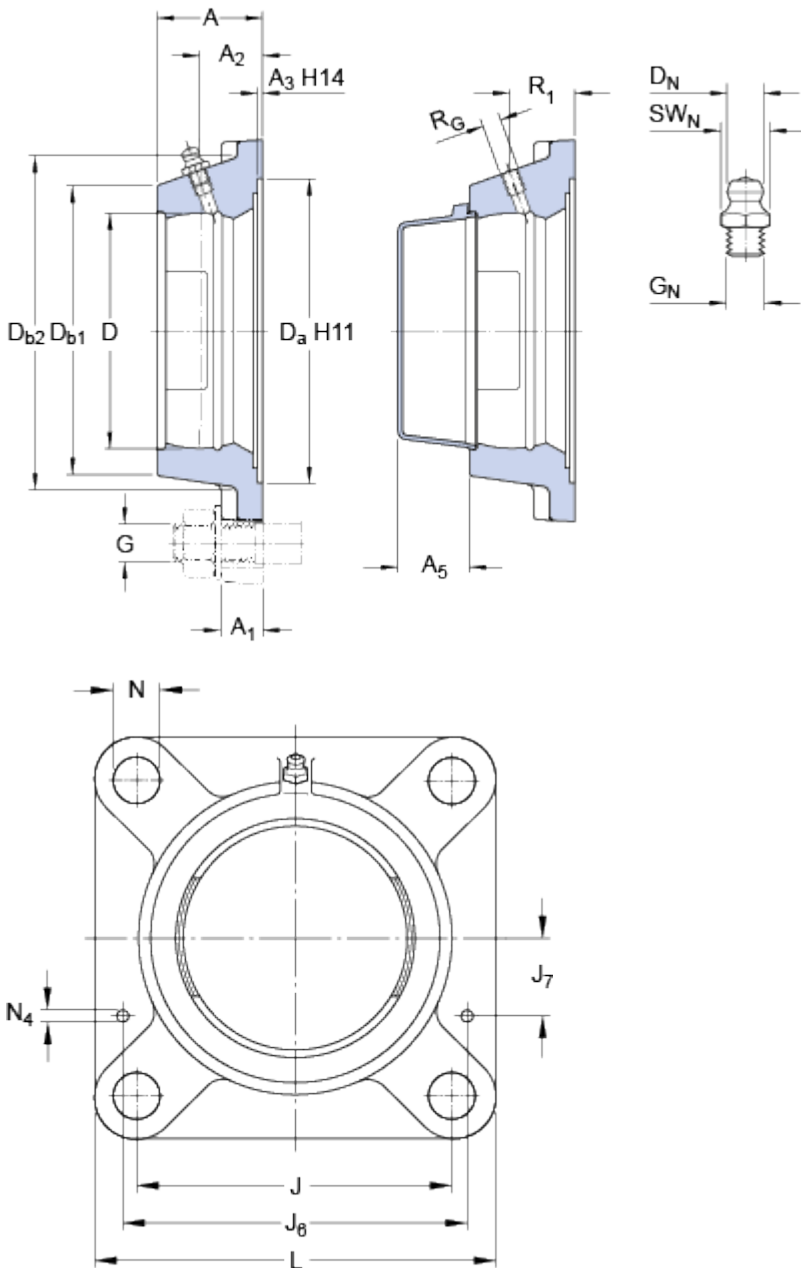


FY 509 M

Material Cast iron

Dimensions



D	85	mm
D _a	119.1	mm
D _{b1}	102	mm
D _{b2}	112	mm
A	39	mm
A ₁	14	mm
A ₂	24	mm
A ₃	3.2	mm
A ₅	23	mm
J	105	mm
L	137	mm
N	16	mm

Threaded hole

R _G	1/4-28 UNF	
R ₁	24.5	mm

Grease fitting

D _N	6.5	mm
SW _N	7	mm
G _N	1/4-28 SAE-LT	

Dowel pins

J ₆	123	mm
J ₇	33.5	mm
N ₄	4	mm

Mass

Mass housing 1.3 kg

Mounting information

Recommended diameter for attachment bolts, mm	G	14	mm
Recommended diameter for attachment bolts, inch	G	0.5625	in

Associated products

End cover	ECY 209
-----------	---------
